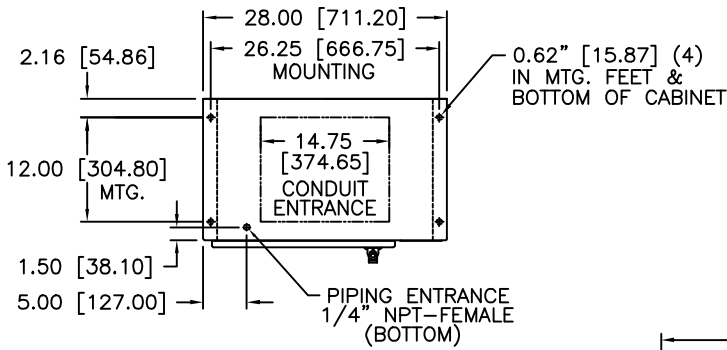
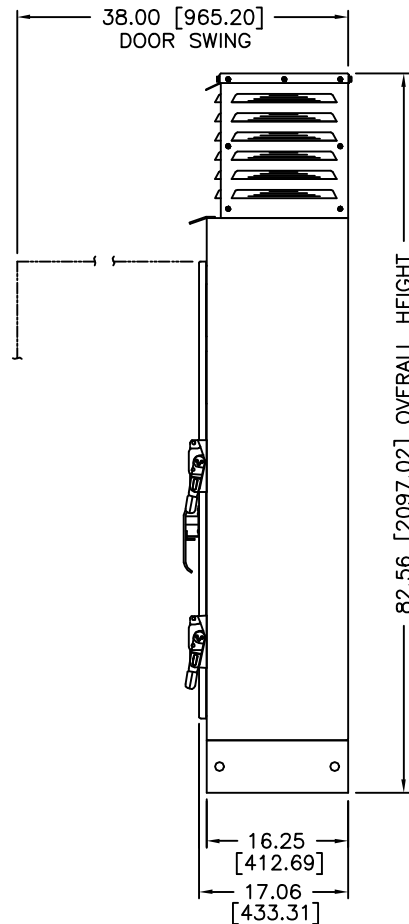
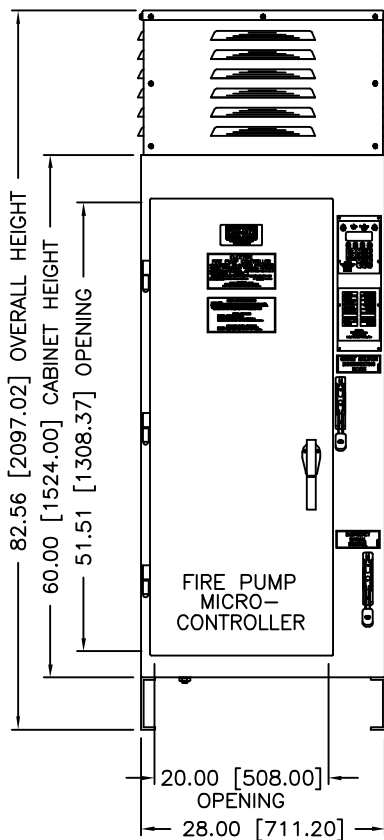


Dimensions and Data  
For Full Service Fire Pump Controller  
Primary Resistance

LXi-1400



DIMENSIONS SUBJECT TO CHANGE WITHOUT NOTICE. ALWAYS CONSULT FACTORY TO CONFIRM CURRENT INFORMATION.



RATINGS	HP	VOLTS	WITHSTAND	ENCLOSURE TYPE
ORDER INFORMATION	15-60	200-208V.	100,000 A (STD)	NEMA 2 (STD.)
	15-75	220-240V.		NEMA 3R
	15-60	380-415V.	150,000 A	NEMA 12
	15-40	440-480V.		NEMA 4 (NOT SHOWN *)
	15-50	550-600V.	200,000 A	NEMA 4X (NOT SHOWN *)
	HP	VOLTS	WITHSTAND	ENCLOSURE TYPE
SELECT	<input type="text"/>	<input type="text"/>	<input type="text"/>	<input type="text"/>

NOTES:

- ENCLOSURE MADE FROM 11 GA. STEEL
- FINISH: RED EPOXY-POLYESTER
- NO KNOCKOUTS
- BOTTOM or TOP CONDUIT ENTRY
- PROTECT INTERNAL EQUIPMENT FROM DRILLING CHIPS
- FLOOR MOUNTING
- "[ ]" INDICATES METRIC (mm) DIMENSIONS
- \*-SAME OUTSIDE DIMENSIONS



HUBBELL / INDUSTRIAL CONTROLS, INC.  
4301 Cheyenne Drive, Archdale, N.C. 27263

DATE:	REV.
08/02/2002	-
DRAWING NUMBER:	
14CE0011	